



Models - 9420* & 9420-1* Coin Operated Models
9420-1C* Commercial Models

Page 2	Product Information
Page 3	Specifications
Page 4	Important Safety Instructions
Page 5-7	Product Dimensions
Page 8-12	Installation
Page 12-13	Programming
Page 14	Operating Instructions
Page 14-15	Maintenance & Troubleshooting
Page 16-21	Parts List
Page 22-24	Wiring Diagram



PRODUCT INFORMATION

Please take a moment to fill out the information below in order to aid us with any future sales or service inquiries. Model number and serial number information can be found on the serial tag located inside the control box and/or on the lower exterior of the can. Key number can be found on the tag that comes attached to the keys. There may be more than one key number depending on unit.

Please keep this information with your records.

MODEL#: _____

SERIAL#: _____

KEY NUMBER(S): _____

DATE PURCHASED: _____

DISTRIBUTOR: _____

**J.E. Adams Industries
1025 63rd Ave. S.W.
Cedar Rapids, IA 52404
1-800-553-8861
www.jeadams.com**

Specifications

Unit specifications: Gast twin cylinder compressor models

Voltage: 120VAC, 60Hz

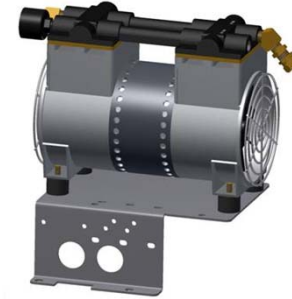
Amperage: (1) 10 & (1) 20 amp services are required for this unit (both air and vac may run/vend at the same time)

Weight: 180-190 lbs with pallet

Vac Motor: (2) 120VAC vacuum motor (requires dedicated 20A service)

Fuses: (2) 10 amp inline fuses (vac motors)

Compressor: Gast 3/4 HP, 120VAC, 60HZ (requires dedicated 10A service)



Gast compressor

Unit specifications: Dewilbice single cylinder models

Duty cycle time 4 minutes on, 4 minutes off.

NOTE: "UNIT INTENDED FOR COMMERCIAL USE ONLY"

IMPORTANT SAFETY INSTRUCTIONS

When using an electrical appliance, basic precautions should always be followed, including the following:

READ ALL INSTRUCTIONS BEFORE USING (THIS APPLIANCE)

WARNING – To reduce the risk of fire, electric shock, or injury:

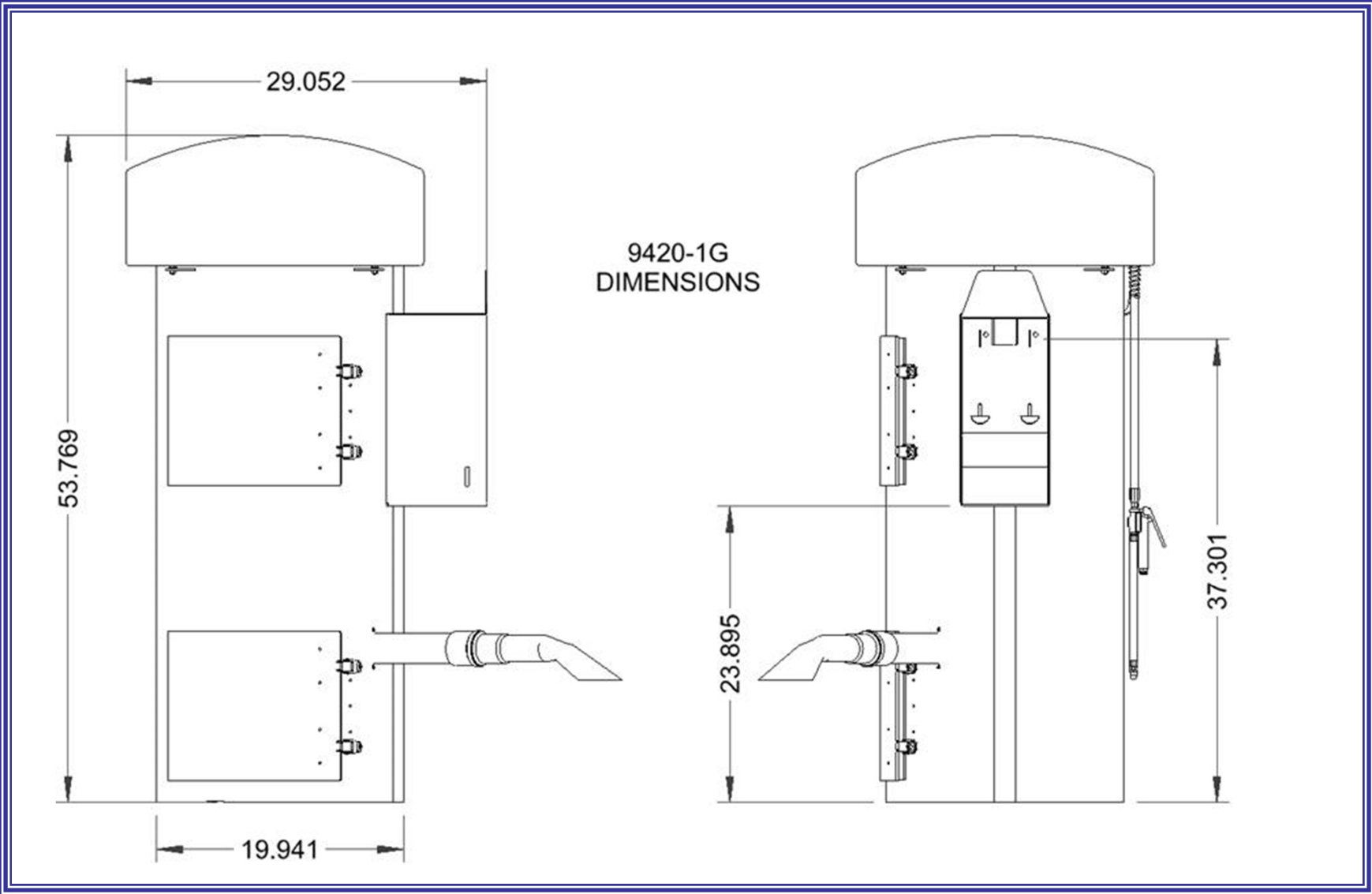
- Do not use on wet surfaces.
- Use only as described in manual. Use only manufactures recommended attachments.
- Do not allow to be used as a toy. Close attention is necessary when used by or near children.
- Do not put any object into openings. Do not use with any opening blocked; keep free of dust, lint, hair and anything that may reduce air flow.
- Keep hair, loose clothing, fingers, and all parts of body away from openings and moving parts.
- Do not use to pick up flammable or combustible liquids, such as gasoline, or use in areas where they may be present.
- “Do not pick up anything that is burning or smoking, such as cigarettes, matches, or hot ashes.”
- “DO not use without dust bag and/or filters in place.”



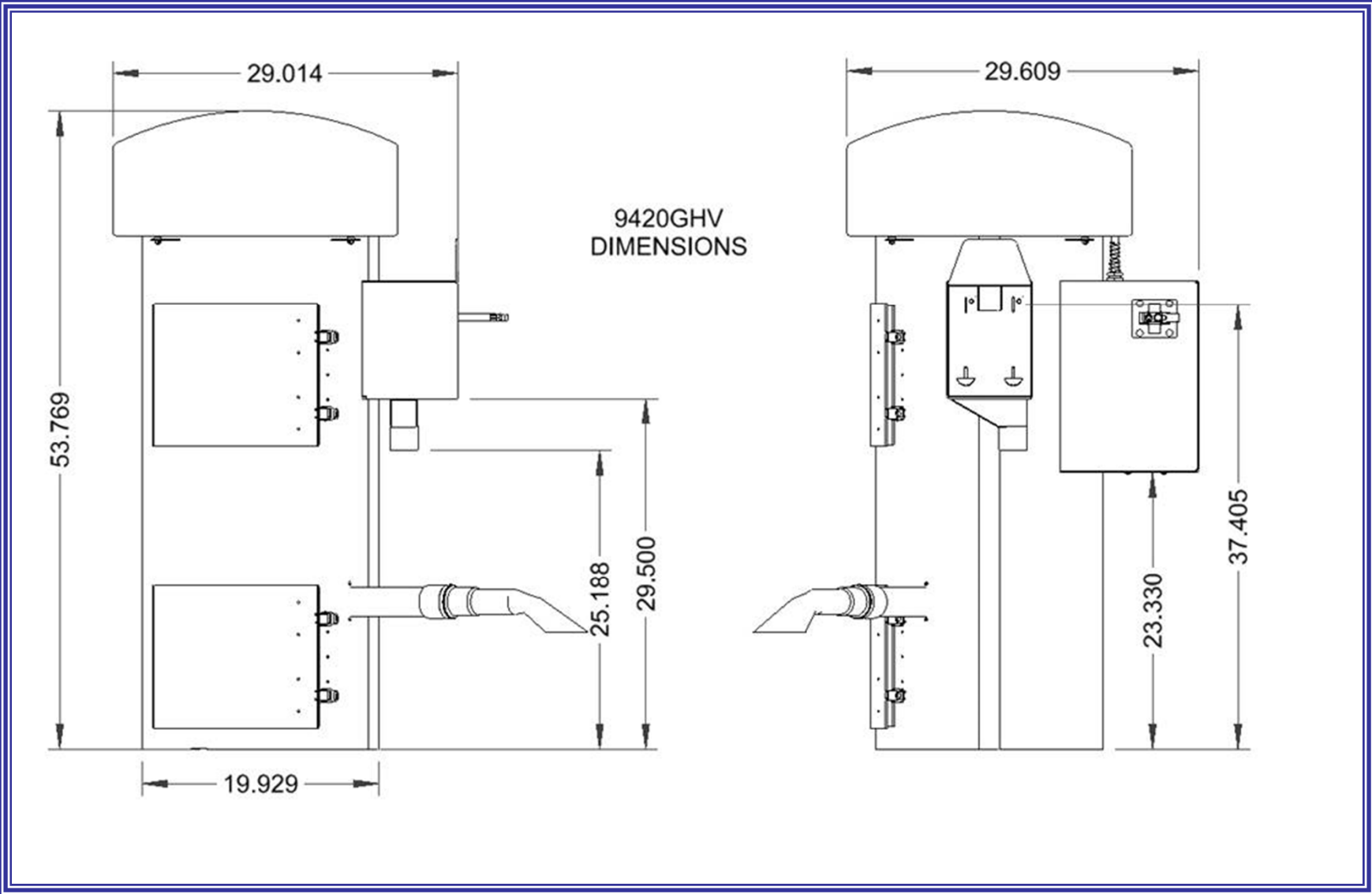
SAVE THESE INSTRUCTIONS

- **Installation Instructions:**
- Determine location to mount unit (“**DANGER**” “**THIS EQUIPMENT INCORPORATES PARTS SUCH AS SWITCHES, MOTORS, OR THE LIKE THAT TEND TO PRODUCE ARCS OR SPARKS THAT CAN CAUSE AN EXPLOSION. WHEN LOCATED IN GASOLINE-DISPENSING AND SERVICE STATIONS INSTALL AND USE AT LEAST 20 FEET (6 M) HORIZONTALLY FROM THE EXTERIOR ENCLOSURE OF ANY DISPENSING PUMP AND AT LEAST 18 INCHES (450 MM) ABOVE A DRIVEWAY OR GROUND LEVEL.**”
- Run electrical service to that location.
- **Grounding Instructions:** This appliance must be connected to a grounded metal, permanent wiring system; or an equipment-grounding conductor must be run with the circuit conductors and connected to the equipment-grounding terminal or lead on the appliance.
- All local and national electric codes must be followed for installation and use.
- Licensed electricians are recommended for installation.

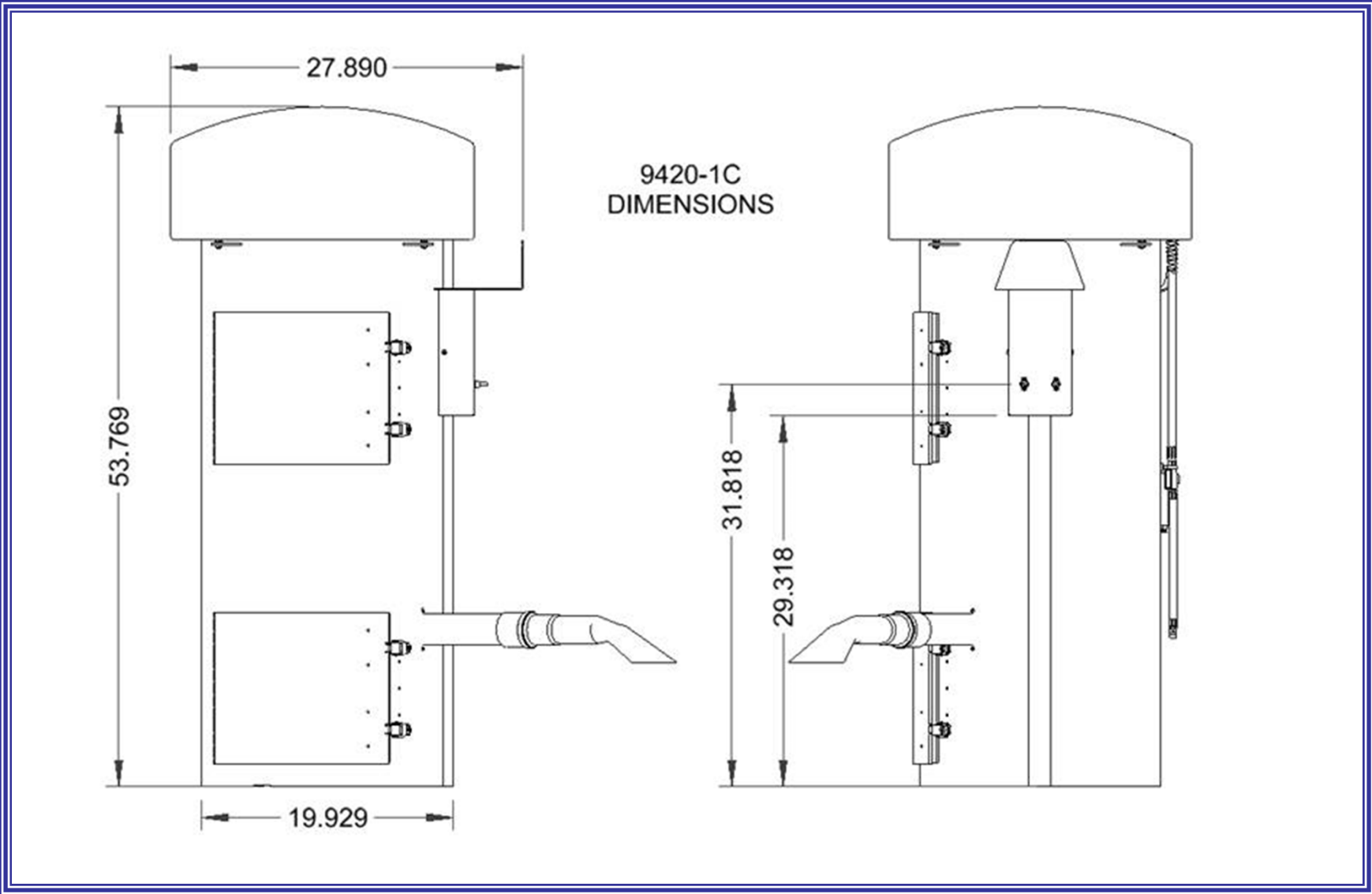
Product Dimensions



Product Dimensions

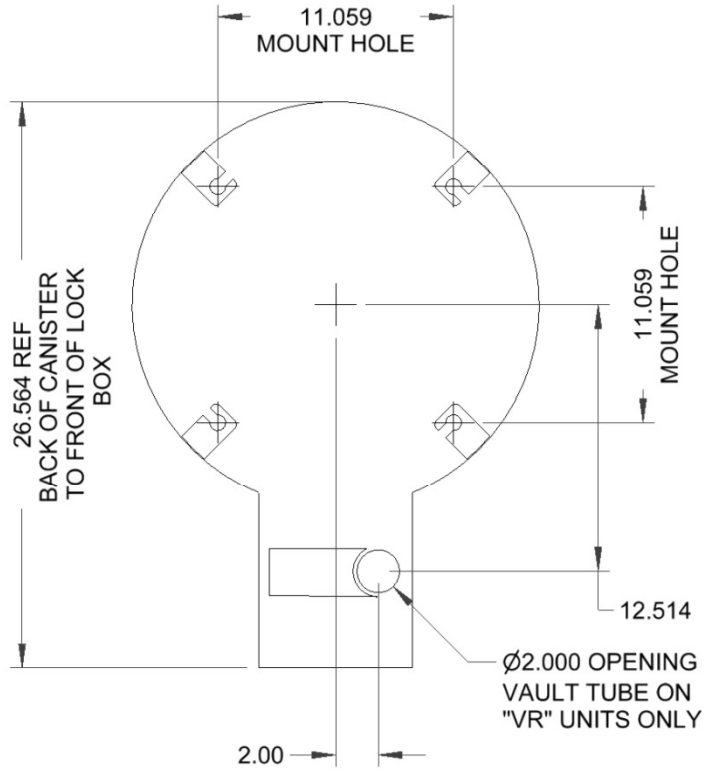


Product Dimensions

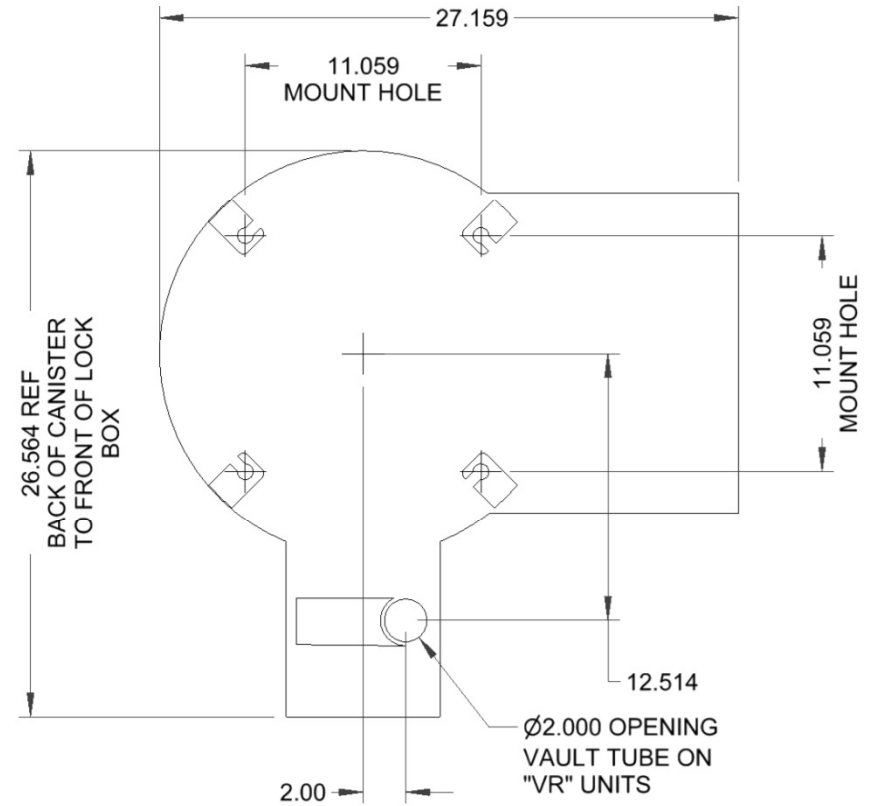


Installation:

PLAN VIEW

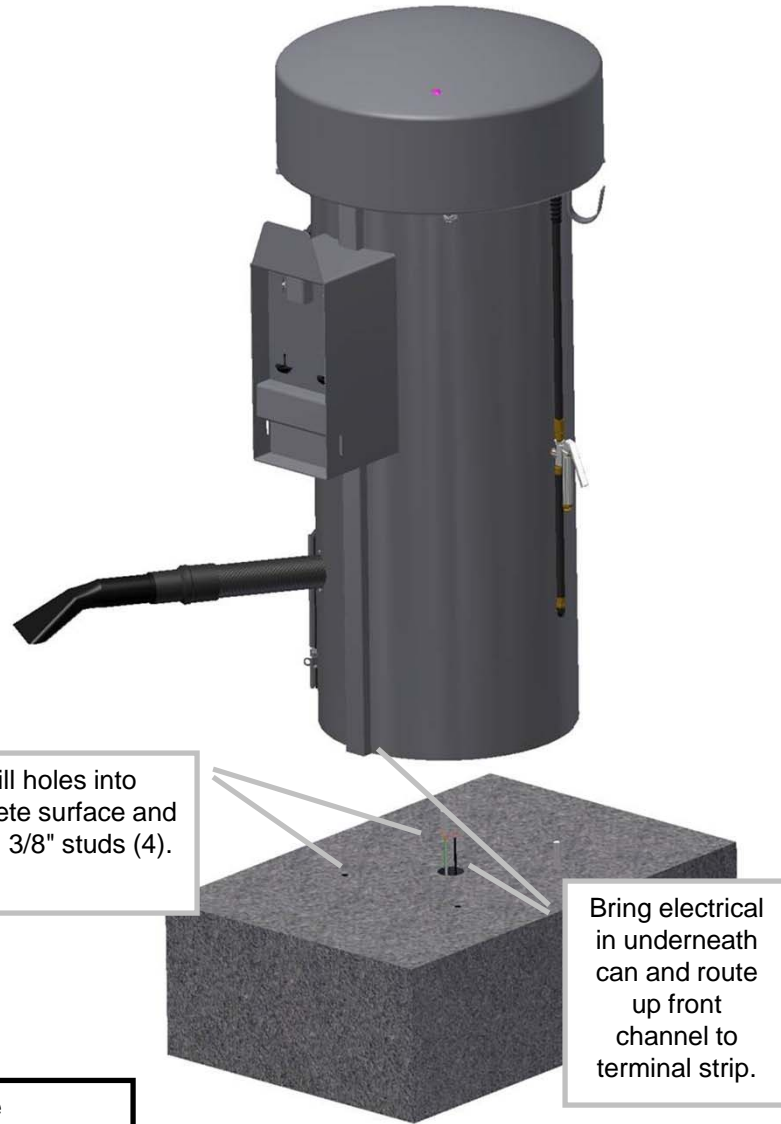


PLAN VIEW



NOTE: when mounting, provide clearance so cleanout doors can open!!

Installation:

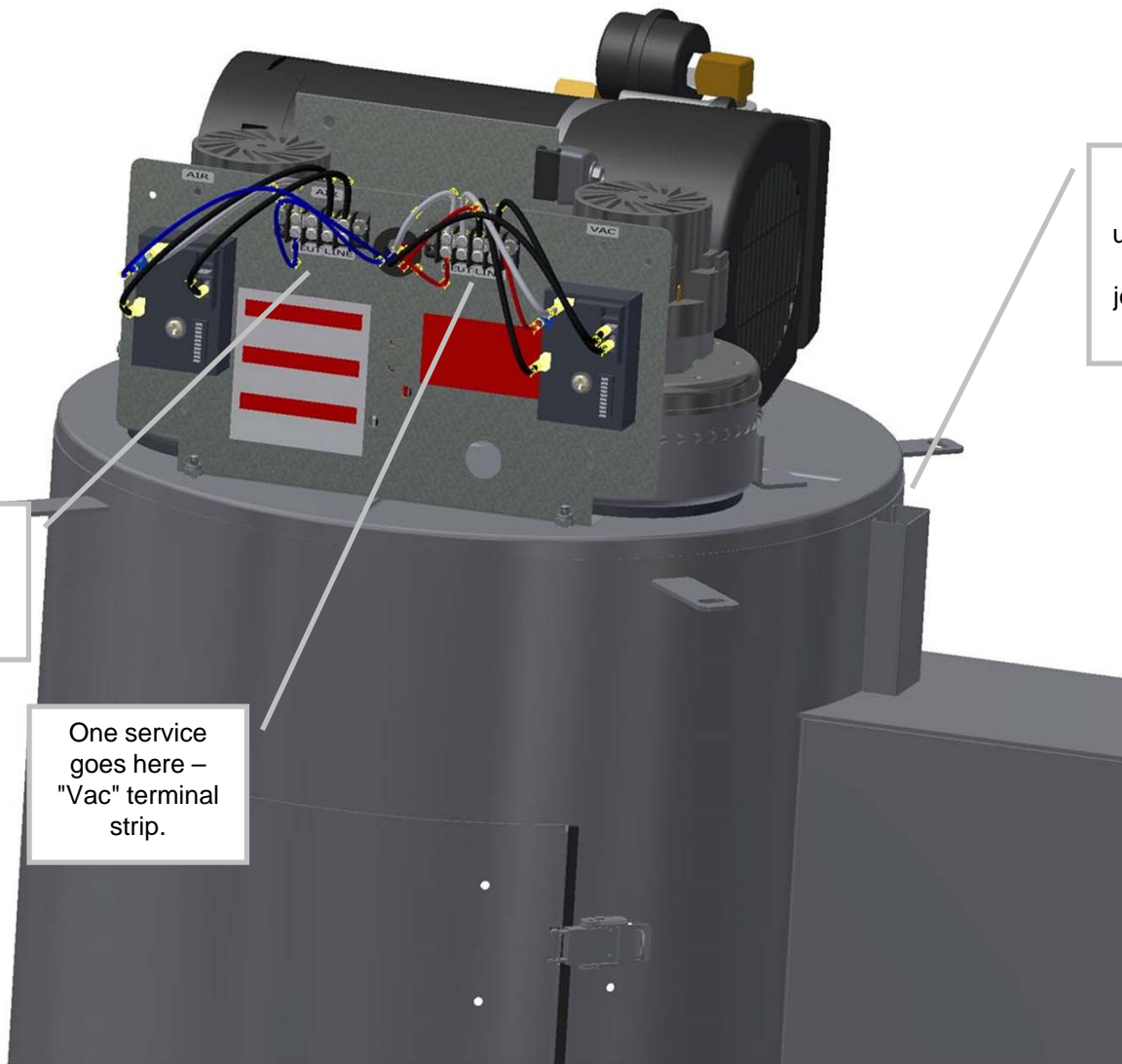


Drill holes into concrete surface and install 3/8" studs (4).

Bring electrical in underneath can and route up front channel to terminal strip.

NOTE: when mounting, provide clearance so cleanout doors can open!!

Wiring – Coin Operated or push button kit (dual electrical service)

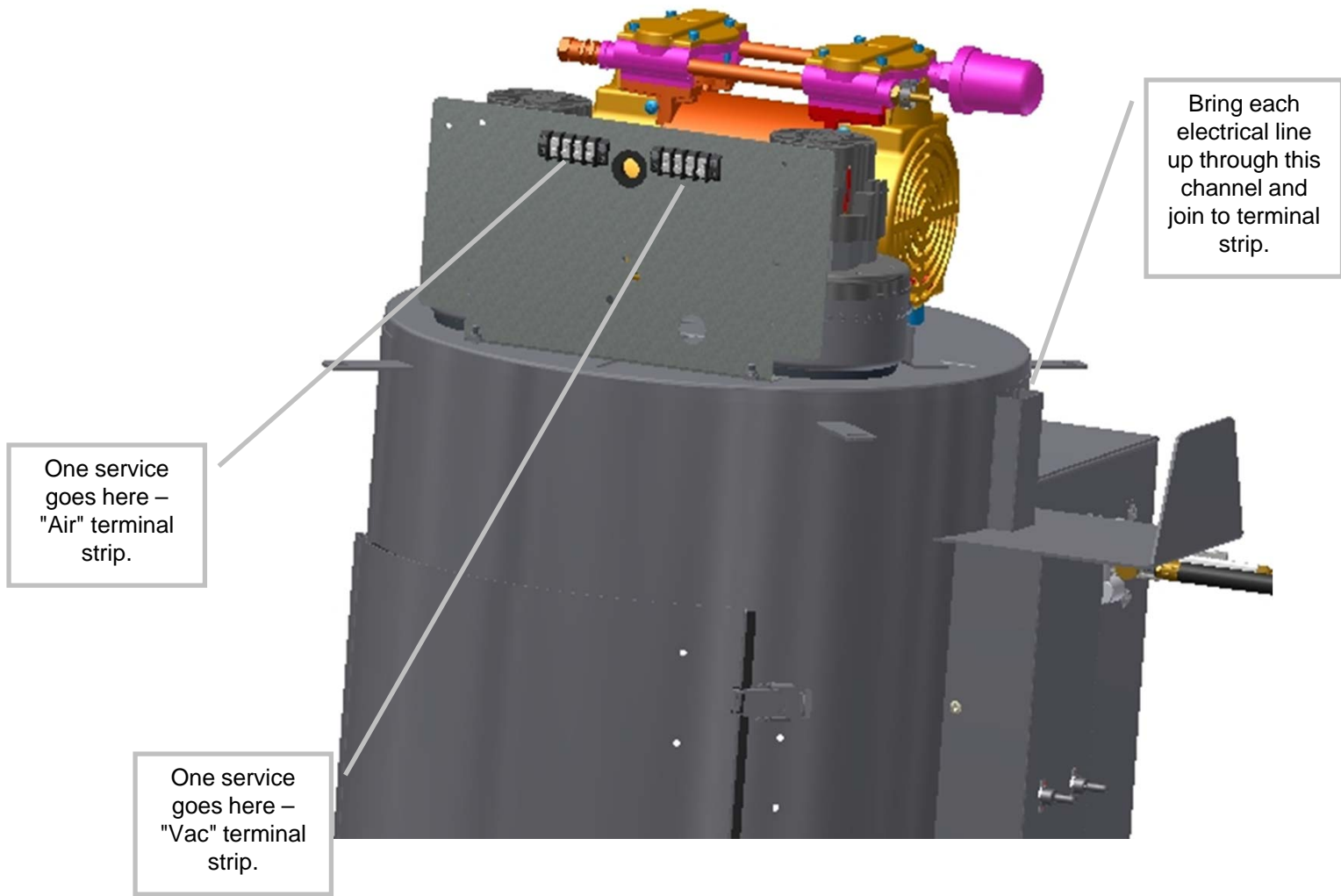


One service goes here – "Air" terminal strip.

One service goes here – "Vac" terminal strip.

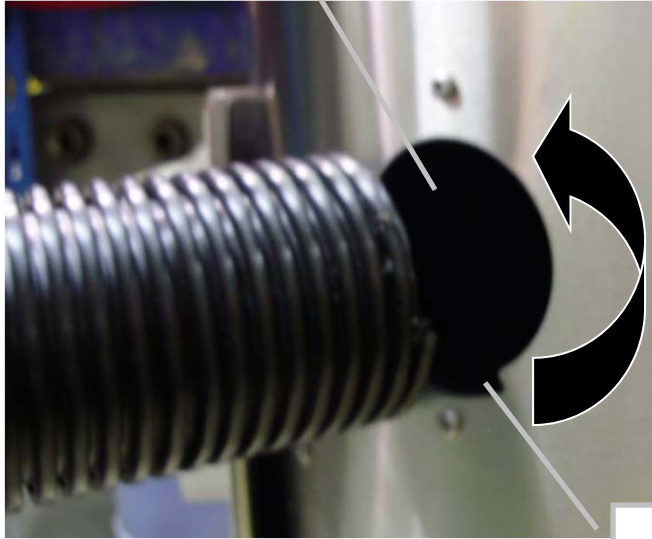
Bring each electrical line up through this channel and join to terminal strip.

Wiring – Commercial toggle switch (dual electrical service)

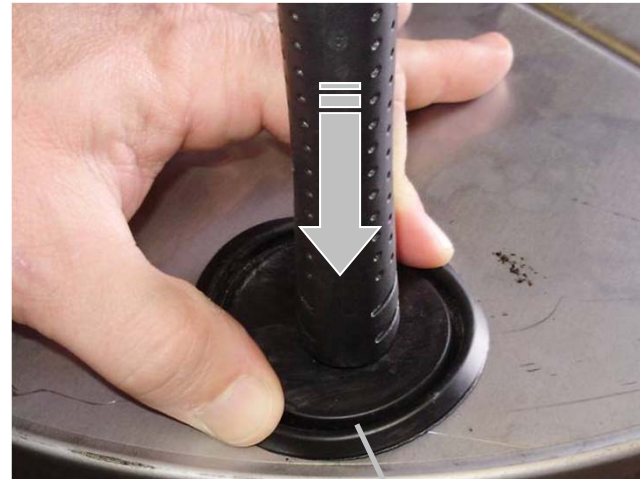


To attach hose, thread into metal hole counter clockwise.

Once unit has been installed use 5871B8 cap plugs (supplied with unit) to seal holes in canister bottom located in lower cleanout door. Extra cap plugs are included with the unit in case plug becomes damaged during shipping removal.



Edge of hose will need to start here.



To insert 5871B8 cap plugs into bottom holes, pinch cap plug into place using index finger and thumb. With edges of plug resting against edges of hole, firmly push down on plug with end of hammer or other blunt object until plug snaps into place.

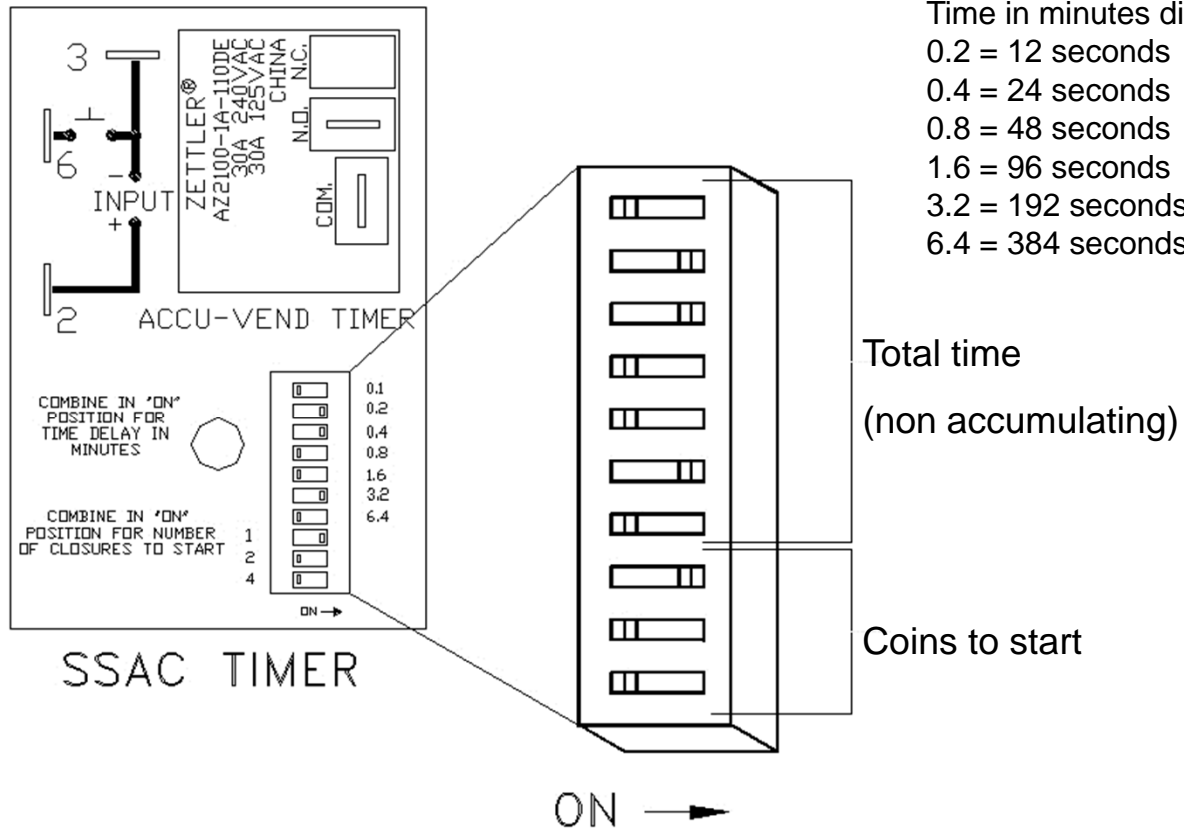
Programming Instructions:

Coin acceptor:

No programming to acceptor needed if unit was purchased with the standard Imonex Z3 acceptor (8149 JEA part number) as it is built accept US quarters. If different acceptor was purchased, see additional literature sent along with unit for programming info.

Programming:

The below timer pictured is the standard SSAC model that allows the end user to select the "coins to start" and the "total time" by settings series of dip switches. The number of "coins to start" dip switch is how many quarters are needed to make the machine come on. In the below example, the "one coin" dip is selected which makes the unit come on with one coin. The "total time" will then need to be set, but a good rule of thumb would be 4 minutes which requires dip switches 3.2 and .8 to be set to on. This scenario means 1 quarter will provide 4 minutes of vacuum time. The total time can always be changed by adding or subtracting time. If the operator would later decide to increase the cost of the unit to "2" quarters, the 2 dip switch would need to be in the on position (all others off) and the time dip switches would still be 3.2 and .8 dips selected for 4 minutes. Timer is non accumulating so "coins to start" setting is just to make the machine come on time and "time" is total time regardless of coins to start.



Operating Instructions:

- Insert payment (coins) to start vacuum.
- Once service is used, hang up hose.

Maintenance:

- **All servicing of machine should be conducted by an authorized service representative!**
- Filter bags should be accessed and shaken down weekly. It is recommended to keep a new set of bags on hand so that once every few months the bags can be replaced and then laundered.
- To maintain performance, empty dirt bin from the canister on a regular basis.
- Periodically inspect wires and connections for wear or fatigue.
- Check door and motor gaskets periodically for signs of wear or damage and replace as needed.
- Check vac hose and air hose for cracks or damage on a weekly basis.
- Clean canister with a stainless steel cleaner as needed. Decals can be cleaned with mild soap and water.
- Check motor brushes every month for excessive wear. Motor brushes should be changed immediately if they are ¼” or shorter. ***Please disconnect power before doing this!***



DISCONNECT POWER BEFORE SERVICING OR TROUBLESHOOTING!



Troubleshooting:

Problem	Possible cause	Solution
Unit is not powered.	Breaker inside unit is not in the on position.	Flip breaker on.
	No power to machine.	Check incoming power.
	Loose connection.	Check incoming power connection.
Machine is behaving erratically.	Is the incoming power at 120V?	Check voltage and monitor while machine runs. Low voltage can cause erratic behavior.
	Are any of the machines wires worn through or connections not making contact?	Inspect wiring and connections. Look for sharp bends in wires and places where wire is against the metal chassis.
Unit keeps tripping breaker.	Inadequate wire size ran to machine.	Call electrician and install proper wire size for 20amp service versus length or run.
	Wrong size breaker.	Install correct breaker (only if wire size is adequate to handle 20 amp breaker).

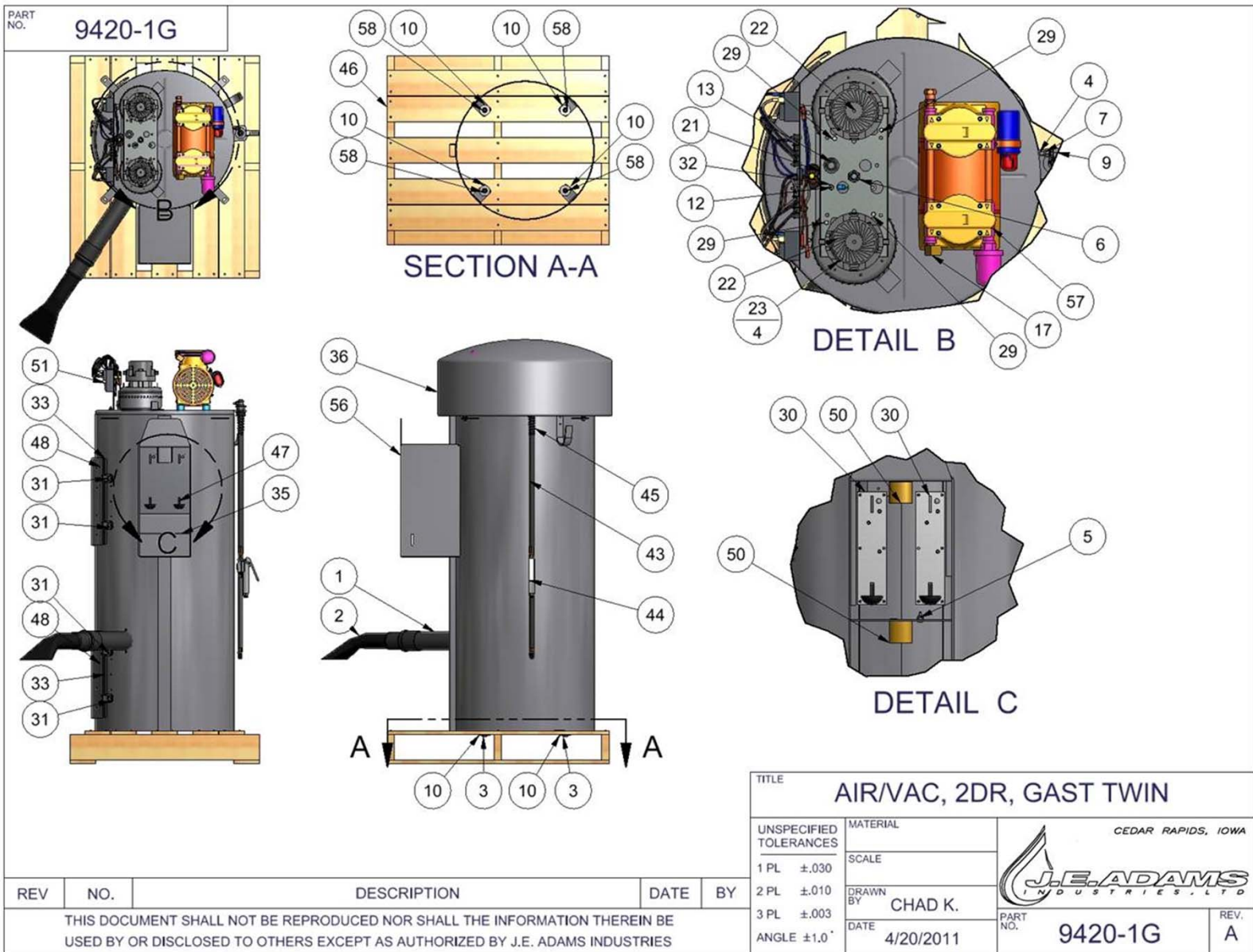
Fuses for vac motors keep blowing.	Inadequate wire size ran to machine.	Call electrician and install proper wire size for 20amp service versus length or run.
	Motor brushes may be bad or too short.	Replace motor brushes.
Lack of vacuum suction.	Vac hose clogged?	Clean debris from vac hose.
	Filter bags need cleaned or dirt chamber needs emptied?	Shake or clean filter bags or replace and empty lower dirt chamber.
	Vac hose is split?	Replace/repair vac hose.
	Cleanout door gaskets torn or worn?	Replace gaskets.
	Vac motor gaskets are worn or motor is not tight against.	Inspect/replace gaskets and assure motor is tight against them.
	Lower chamber cap plugs/mounting hole covers have popped out?	Open lower chamber and inspect plugs, order new if needed.
	Cleanout door gaskets torn or worn?	Replace gaskets.
	One of the vac motors is not working?	Check line motor fuse and replace. Replace motor if necessary.
Compressor runs but will not inflate tire.	Air is leaking from unit somewhere.	Turn power off to unit, apply chuck to air source with at least 30lbs of pressure and listen carefully for leaks inside cabinet or air hose. Replace faulty component if leaking.
	If no system leaks, is compressor putting out enough pressure?	If compressor cannot force air into tire, the compressor may have exceeded its life span and need rebuilt (about 1000 hours).
	Chuck washer is worn out?	Replace rubber washer inside chuck with JE Adams PN 8533-3CW.
	Temperature is below freezing and condensation off compressor has froze in air hose.	Remove air hose and chuck and bring into warm area to thaw. Optional air dry systems are available through JE Adams if frequent problem- please call

PART NO.		9420-1G					
BILL OF MATERIALS				BILL OF MATERIALS			
ITEM	PART NUMBER	DESCRIPTION	QTY	ITEM	PART NUMBER	DESCRIPTION	QTY
33	8159	DOOR GASKET	2	1	2036	HOSE, 2" X 15' BLACK VACUUM	1
34	8183	DECAL, WARNING	3	2	2058	CLAW/CUFF ASSEMBLY, 2"	1
35	8204RW	WELDMENT, COIN BOX	1	3	5600D4	3/8-16 X 1.5 HHCS	4
36	8305	24" STAINLESS STEEL DOME	1	4	5601D4	1/4-20 x 3/4 HHCS-SS	1
37	8427-1	DECAL, VACUUM	1	5	5603D1	10 Std NC Nylock Nut	3
38	8427-2	DECAL, AIR	1	6	5603D11	1/2 Std NC Nylock Nut	1
39	8427-3	DECAL, DOME	1	7	5603D2	1/4 Std NC Nylock Nut	1
40	8429-1	DECAL, HANG HOSE	1	8	5603D5	1/4 Std NC Nylock Nut	4
41	8437D001	DECAL, ETL LISTED	1	9	5606D21	WASHER, FLAT, 3/4 SAE, ID 13/16	1
42	8450	DECAL, TOP HEAVY	1	10	5606D22	WASHER, 3/8 FENDER	8
43	8532-25	AIR HOSE ASSY, 1/4" X 25'	1	11	5606D7	FLAT WASHER, .160 ID X .500 OD	1
44	8533-8	TIRE INFLATOR W/ GAUGE	1	12	5627D2	Pan Head, Slotted, 6-32 x 5/8	1
45	8549	FLEX STRAIN RELIEF	1	13	5639D4	RUBBER GROMMET	1
46	8605	PALLET, VAC, 26" X 30.5"	1	14	5647D2	1/8" SS POP RIVET	16
47	8609RW	FACEPLATE W/C, DUAL ACCEPTORS	1	15	5647D8	3/16" SS POP RIVET	14
48	8615-5W	CLEANOUT DOOR WELDMENT	2	16	5684D2	1/2" DIA. HOSE CLAMP	1
49	8630	TUBE, 30.5 X 26 X 60	1	17	5800D6	90 DEG. NPT STREET ELBOW	1
50	8638	PIN LOCK	2	18	5871b8	PLUG, VAC BOTTOM 2-1/2"	8
51	8646A	TIMER ASSEMBLY, AIR/VAC	1	19	6082	BAG, 9 X 12	1
52	8673-11	GROUND WIRE 28"	1	20	8047	BAG, 60 X 72	1
53	8732	NAMEPLATE, PRODUCT SPEC'S	1	21	8051G	BRACKET, MOTOR MOUNT	1
54	8754	WARNING DECAL	1	22	8055EM	MOTOR, ELECTRO 120V	2
55	9420FPD	DECAL, FACEPLATE	1	23	8055LEAD-EM	WIRE LEAD, EM VAC MOTOR	4
56	9421W-1	WELDMENT, AIR/VAC CANISTER	1	24	8057	MOTOR GASKET	2
57	9862	110VAC 3/4 TWIN GAST COMPRESSOR	1	25	8076	FILTER BAG	4
58	B5722-002	NUT, 3/8-16 UNC HEX LOCK NUT	4	26	8081	CABLE TIE MOUNT	2
				27	8084	CABLE TIE	3
				28	8085	15" CABLE TIE	2
				29	8108	#10 x 1/2 TAP SCREW	4
				30	8149	IMONEX COIN ACCEPTOR	2
				31	8153-1	LATCH, CLEANOUT DOOR	4
				32	8157	NUT, #6-32 KEPP NUT STAINLESS	9



TITLE		AIR/VAC, 2DR, GAST TWIN		
UNSPECIFIED TOLERANCES	MATERIAL	CEDAR RAPIDS, IOWA		
1 PL ±.030	SCALE			
2 PL ±.010	DRAWN BY			CHAD K.
3 PL ±.003	DATE			4/20/2011
ANGLE ±1.0°	PART NO.	9420-1G	REV. A	

A	6460	REVISED AND DRAWN TO INVENTOR; NO PREVIOUS DRAWING	4-20-11	CK
REV	NO.	DESCRIPTION	DATE	BY
THIS DOCUMENT SHALL NOT BE REPRODUCED NOR SHALL THE INFORMATION THEREIN BE USED BY OR DISCLOSED TO OTHERS EXCEPT AS AUTHORIZED BY J.E. ADAMS INDUSTRIES				




PART NO.	9420-1VG
----------	----------

BILL OF MATERIALS				BILL OF MATERIALS			
ITEM	PART NUMBER	DESCRIPTION	QTY	ITEM	PART NUMBER	DESCRIPTION	QTY
34	8183	DECAL, WARNING	3	1	2036	HOSE, 2" X 15' BLACK VACUUM	1
35	8305	ASSEMBLED SS DOME	1	2	2058	CLAW/CUFF ASSEMBLY, 2"	1
36	8427-1	DECAL, VACUUM	1	3	5600D4	3/8-16 X 1.5 HHCS	4
37	8427-2	DECAL, AIR	1	4	5601D4	1/4-20 x 3/4 HHCS-SS	1
38	8427-3	DECAL, DOME	1	5	5603D1	10 Std NC Nylock Nut	3
39	8429-1	DECAL, HANG HOSE	1	6	5603D11	1/2 Std NC Nylock Nut	1
40	8450	DECAL, TOP HEAVY	1	7	5603D2	1/4 Std NC Nylock Nut	1
41	8532-25	AIR HOSE ASSY, 1/4" X 25'	1	8	5603D5	1/4 Std NC Nylock Nut	4
42	8533-8	TIRE INFLATOR W/ GAUGE	1	9	5606D21	WASHER, FLAT, 3/4 SAE, ID 13/16	1
43	8549	FLEX STRAIN RELIEF	1	10	5606D22	WASHER, 3/8 FENDER	8
44	8605	PALLET, VAC, 26" X 30.5"	1	11	5606D7	FLAT WASHER, .160 ID X .500 OD	1
45	8609RW	FACEPLATE W/C, DUAL ACCEPTORS	1	12	5627D2	Pan Head, Slotted, 6-32 x 5/8	1
46	8615-5W	CLEANOUT DOOR WELDMENT	2	13	5639D4	RUBBER GROMMET	1
47	8638	PIN LOCK	1	14	5647D2	1/8" SS POP RIVET	16
48	8646A	TIMER ASSEMBLY, AIR/VAC	1	15	5647D8	3/16" SS POP RIVET	14
49	8673-11	GROUND WIRE 28"	1	16	5684D2	1/2" DIA. HOSE CLAMP	1
50	8732	NAMEPLATE, PRODUCT SPEC'S	1	17	5800D6	90 DEG. NPT STREET ELBOW	1
51	8754	WARNING DECAL	1	18	5871b8	PLUG, VAC BOTTOM 2-1/2"	8
52	8920-71	BOX	1	19	6082	BAG, 9 X 12	1
53	9420FPD	DECAL, FACEPLATE	1	20	8047	BAG, 60 X 72	1
54	9423W	CANISTER WELDMENT, AIR/VAC, VR	1	21	8051G	BRACKET, MOTOR MOUNT	1
55	9862	110VAC 3/4 TWIN GAST COMPRESSOR	1	22	8055EM	MOTOR, ELECTRO 120V	2
56	B5722-002	NUT, 3/8-16 UNC HEX LOCK NUT	4	23	8055LEAD-EM	WIRE LEAD, EM VAC MOTOR	4
57	8437D001	ETL LISTED LABEL	1	24	8057	MOTOR GASKET	2

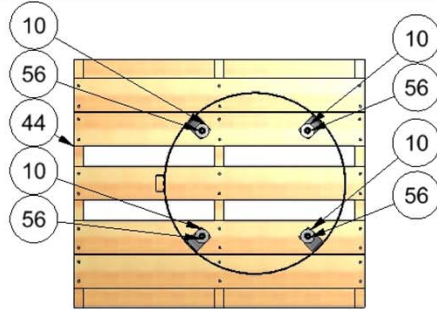
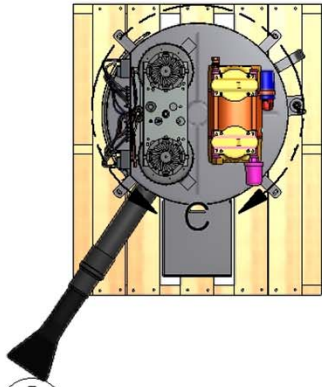


25	8076	FILTER BAG	4
26	8081	CABLE TIE MOUNT	2
27	8084	CABLE TIE	3
28	8085	15" CABLE TIE	2
29	8108	#10 x 1/2 TAP SCREW	4
30	8149	IMONEX COIN ACCEPTOR	2
31	8153-1	LATCH, CLEANOUT DOOR	4
32	8157	NUT, #6-32 KEPP NUT STAINLESS	9
33	8159	DOOR GASKET	2

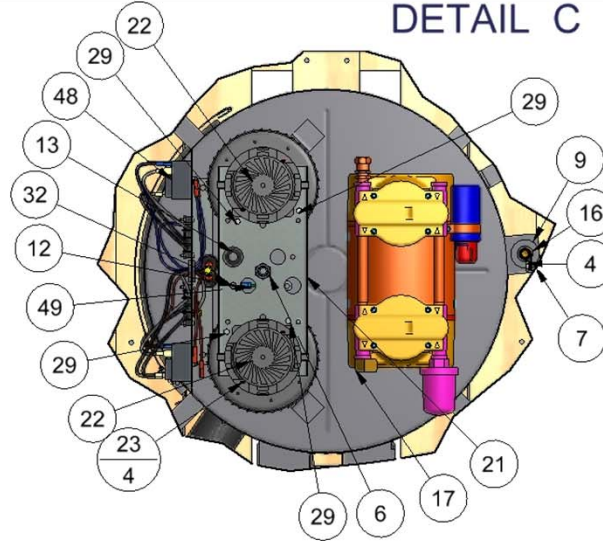
TITLE **AIR/VAC, 2DR, VR**

B	6961	ADDED 8437D001	5-22-12	CK	UNSPECIFIED TOLERANCES	MATERIAL	 CEDAR RAPIDS, IOWA
A	6467	REVISED AND DRAWN TO INVENTOR; NO PREVIOUS DRAWING	4-22-11	CK	1 PL ±.030	SCALE	
REV	NO.	DESCRIPTION	DATE	BY	2 PL ±.010 3 PL ±.003 ANGLE ±1.0°	DRAWN BY CHAD K. DATE 4/22/2011	
THIS DOCUMENT SHALL NOT BE REPRODUCED NOR SHALL THE INFORMATION THEREIN BE USED BY OR DISCLOSED TO OTHERS EXCEPT AS AUTHORIZED BY J.E. ADAMS INDUSTRIES					PART NO. 9420-1VG		REV. B

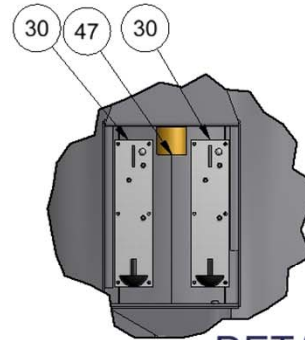
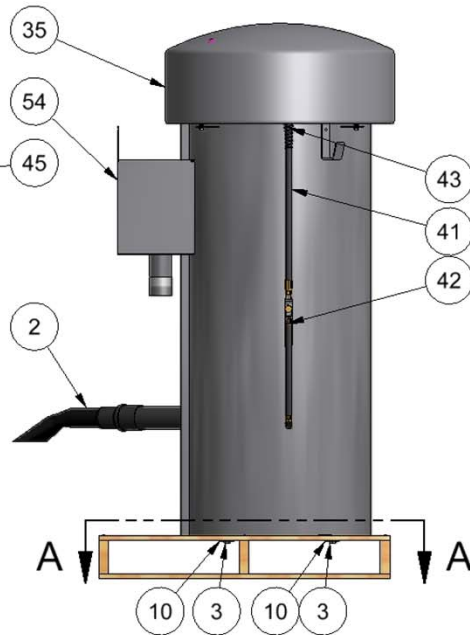
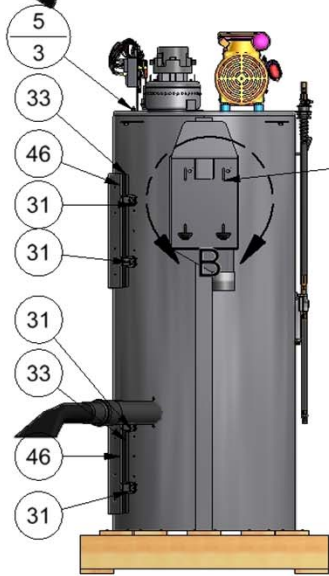
PART NO. 9420-1VG




SECTION A-A



DETAIL C



DETAIL B

TITLE		AIR/VAC, 2DR, VR	
UNSPECIFIED TOLERANCES	MATERIAL	CEDAR RAPIDS, IOWA	
1 PL ±.030	SCALE		
2 PL ±.010	DRAWN BY CHAD K.		
3 PL ±.003	DATE 4/22/2011		
ANGLE ±1.0°	PART NO. 9420-1VG	REV. B	

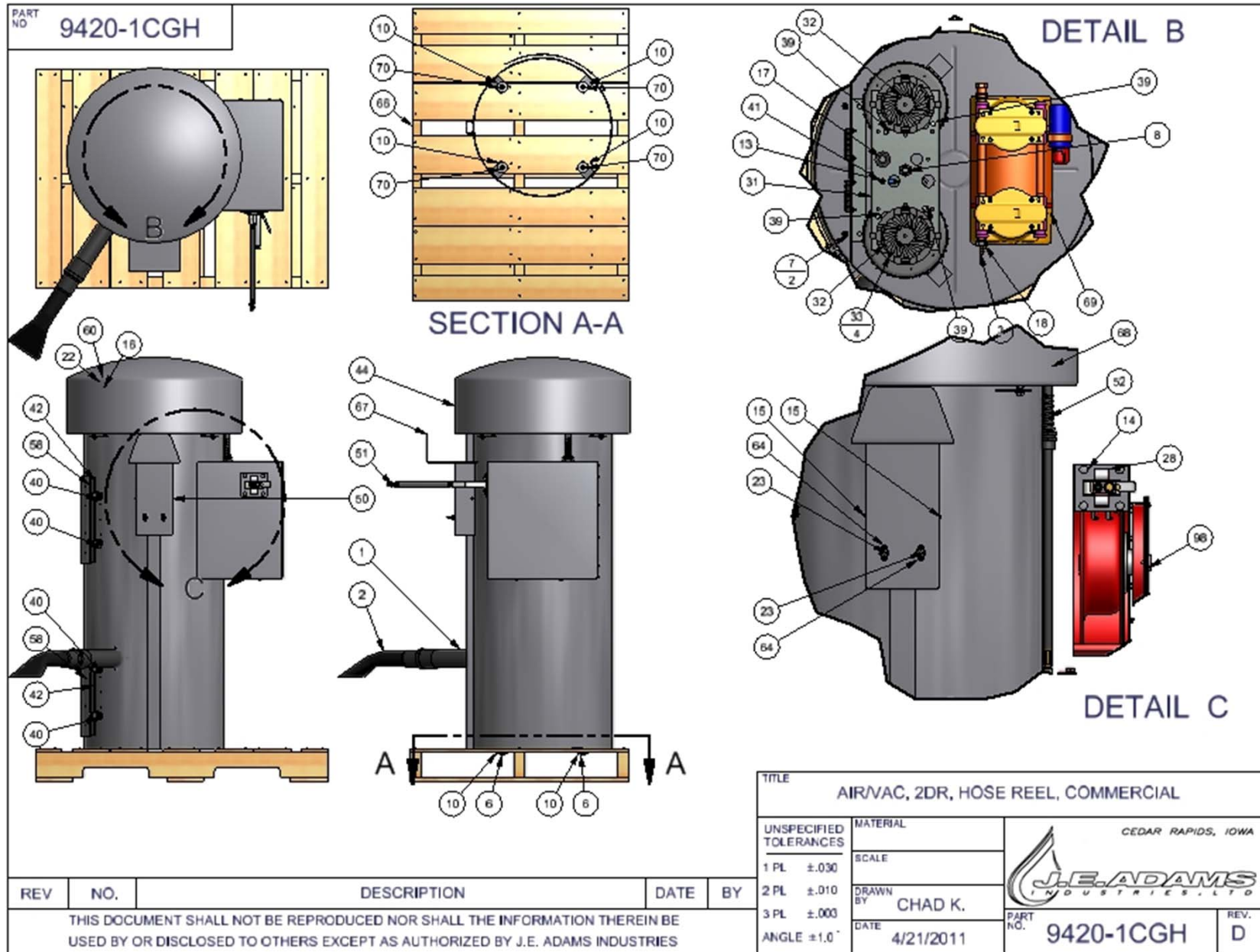
REV	NO.	DESCRIPTION	DATE	BY
THIS DOCUMENT SHALL NOT BE REPRODUCED NOR SHALL THE INFORMATION THEREIN BE USED BY OR DISCLOSED TO OTHERS EXCEPT AS AUTHORIZED BY J.E. ADAMS INDUSTRIES				

PART NO	9420-1CGH
---------	-----------

BILL OF MATERIALS				BILL OF MATERIALS			
ITEM	PART NUMBER	DESCRIPTION	QTY	ITEM	PART NUMBER	DESCRIPTION	QTY
36	8081	CABLE TIE MOUNT	2	1	2036	HOSE, 2" X 15' BLACK VACUUM	1
37	8084	CABLE TIE	3	2	2058	CLAW/CUFF ASSEMBLY, 2"	1
38	8085	15' CABLE TIE	2	3	3054	1/4" HOSE BARB X 1" MPT	1
39	8106	#10 x 1/2 TAP SCREW	4	4	5035D3	DOWEL PIN	4
40	8153-1	LATCH, CLEANOUT DOOR	4	6	5600D4	3/8-16 X 1.5 HHCS	4
41	8157	NUT, #6-32 KEPP NUT STAINLESS	5	7	5603D1	10 Std NC Nylock Nut	2
42	8159	DOOR GASKET	2	8	5603D11	1/2 Std NC Nylock Nut	1
43	8183	DECAL, WARNING	3	9	5603D5	1/4 Std NC Nylock Nut	8
44	8305	ASSEMBLED SS DOME	1	10	5606D22	WASHER, 3/8 FENDER	8
45	8427-1	DECAL, VACUUM	1	11	5606D7	FLAT WASHER, .160 ID X .500 OD	1
46	8427-2	DECAL, AIR	1	12	5611D4	NUT, 5/16-18 UNC KEPP- SS	2
47	8427-3	DECAL, DOME	1	13	5627D2	Pan Head, Slotted, 6-32 x 5/8	5
48	8429-1	DECAL, HANG HOSE	1	14	5635D4	1/4-20 UNC CARRIAGE BOLT	4
49	8450	DECAL, TOP HEAVY	1	15	5636D1	#10-24 PHIL. PAN HEAD SCREW	2
50	8505-1C	COVER, CONTROL PLATE, AIR/VAC COMMERCIAL	1	16	5639D1	RUBBER GROMMET	1
51	8533-8	TIRE INFLATOR W/ GAUGE	1	17	5639D4	RUBBER GROMMET	1
52	8549	FLEX STRAIN RELIEF	1	18	5643D2	SS HOSE CLAMP, 7/16-25/32"	1
53	8588BY	DECAL, FREE AIR	1	19	5647D2	1/8" SS POP RIVET	16
54	8589BY	DECAL, FREE VAC	1	20	5647D8	3/16" SS POP RIVET	14
58	8615-5W	CLEANOUT DOOR WELDMENT	2	21	5871b6	PLUG, VAC BOTTOM 2-1/2"	8
59	8630	TUBE, 30.5 X 26 X 60	1	22	5903D1	4 POS TERMINAL STRIP	2
60	8646	MOUNTING BRACKET, AIR/WATER-VAC	1	23	5920	BOOT, TOGGLE SWITCH	2
61	8673-11	GROUND WIRE 28"	1	26	6027-1	RETAINER, ROLLER	1
62	8732	NAMEPLATE, PRODUCT SPEC'S	1	27	6027-2	COVER, HOSE GUIDE	2
63	8754	WARNING DECAL	1	28	6027-3	ROLLER, HOSE GUIDE	4
64	8828	TOGGLE SWITCH PLATE	2	29	6062	BAG, 9 X 12	1
65	8918	ON-OFF SWITCH	2	30	8047	BAG, 60 X 72	1
66	8939	PALLET, DUAL, OVAL, SPECIALITY, 30" X 40"	1	31	8051G	BRACKET, MOTOR MOUNT	1
67	9421W2-1C-RC	AIR/VAC CANISTER W/C, COMMERCIAL, REEL CRAFT	1	32	8055EM	MOTOR, ELECTRO 120V	2
68	9650-430	30" HOSE	1	33	8055LEAD-EM	WIRE LEAD, EM VAC MOTOR	4
69	9662	110VAC 3/4 TWIN GAST COMPRESSOR	1	34	8057	MOTOR GASKET	2
70	85722-002	NUT, 3/8-16 UNC HEX LOCK NUT	4	35	8076	FILTER BAG	4
71	8437D001	ETL LISTED LABEL	1				
96	6025SHR	REEL CRAFT, BASE MOUNT	1				



D	7097	REMOVED 9421W2-1C, 6025-26W-1, 5600D2 (6), 8597 (4), 8598 (4) 8596 (4) & COX REEL. ADDED 9421W2-1C-RC & REEL CRAFT	4-30-13	CK	TITLE AIR/VAC, 2DR, HOSE REEL, COMMERCIAL
C	6961	ADDED 8437D001	2-22-12	CK	
B	6956	ADDED (2) EA 5627D2 & 8157 & (1) 5903D1	5-11-12	CK	
A	6465	REVISED AND DRAWN TO INVENTOR; NO PREVIOUS DRAWING	4-21-11	CK	
REV	NO.	DESCRIPTION	DATE	BY	
THIS DOCUMENT SHALL NOT BE REPRODUCED NOR SHALL THE INFORMATION THEREIN BE USED BY OR DISCLOSED TO OTHERS EXCEPT AS AUTHORIZED BY J.E. ADAMS INDUSTRIES					UNSPECIFIED TOLERANCES 1 PL ±.030 2 PL ±.010 3 PL ±.003 ANGLE ±1.0°
					MATERIAL SCALE DRAWN BY CHAD K. DATE 4/21/2011
					CEDAR RAPIDS, IOWA PART NO. 9420-1CGH REV. D

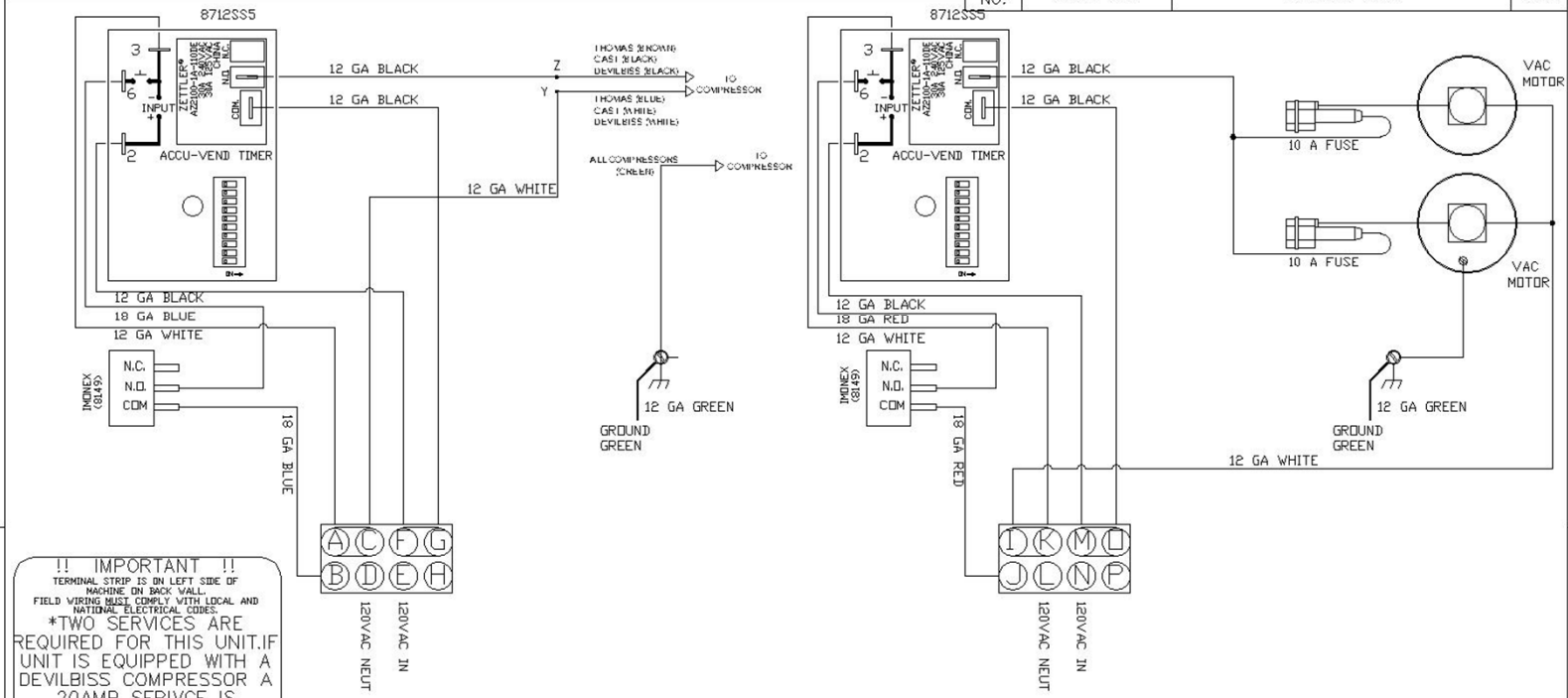


PART NO. 9420 SERIES

THIS DOCUMENT SHALL NOT BE REPRODUCED NOR SHALL THE INFORMATION THEREIN BE USED BY OR DISCLOSED TO OTHERS EXCEPT AS AUTHORIZED BY J.E. ADAMS INDUSTRIES

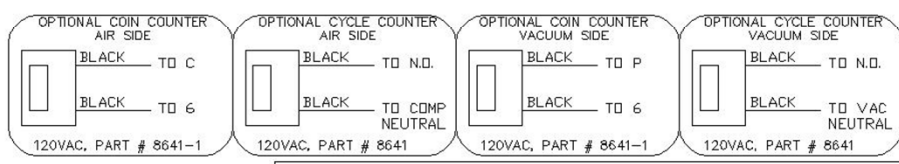
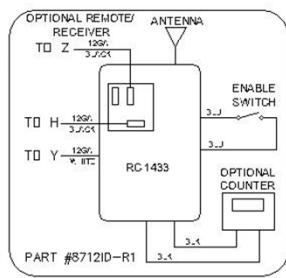
BILL OF MATERIAL

ITEM NO.	PART NO.	DESCRIPTION	QTY.
----------	----------	-------------	------



!! IMPORTANT !!
 TERMINAL STRIP IS ON LEFT SIDE OF MACHINE ON BACK WALL.
 FIELD WIRING MUST COMPLY WITH LOCAL AND NATIONAL ELECTRICAL CODES.
 *TWO SERVICES ARE REQUIRED FOR THIS UNIT. IF UNIT IS EQUIPPED WITH A DEVILBISS COMPRESSOR A 20AMP SERVICE IS REQUIRED FOR THE AIR SIDE AND A 20 AMP SERVICE IS REQUIRED FOR THE VACUUM. *

!! IMPORTANT !!
 TERMINAL STRIP IS ON LEFT SIDE OF MACHINE ON BACK WALL.
 FIELD WIRING MUST COMPLY WITH LOCAL AND NATIONAL ELECTRICAL CODES.
 *TWO SERVICES ARE REQUIRED FOR THIS UNIT. IF UNIT IS EQUIPPED WITH A TWIN THOMAS OR GAST COMPRESSOR A 10AMP SERVICE IS REQUIRED FOR THE AIR SIDE AND A 20 AMP SERVICE IS REQUIRED FOR THE VACUUM. *



TITLE		AIR VAC_SSAC_8149_ALL COMPRESSORS	
UNSPECIFIED TOLERANCES	SCALE	-	
FRACT. ±1/32	DRAWN BY	CK	
2 PL ±.020	DATE	6-21-11	
3 PL ±.010	REL. FOR PROD.	PART NO. 9420 SERIES	
ANGLE ±1.0°		REV. A	



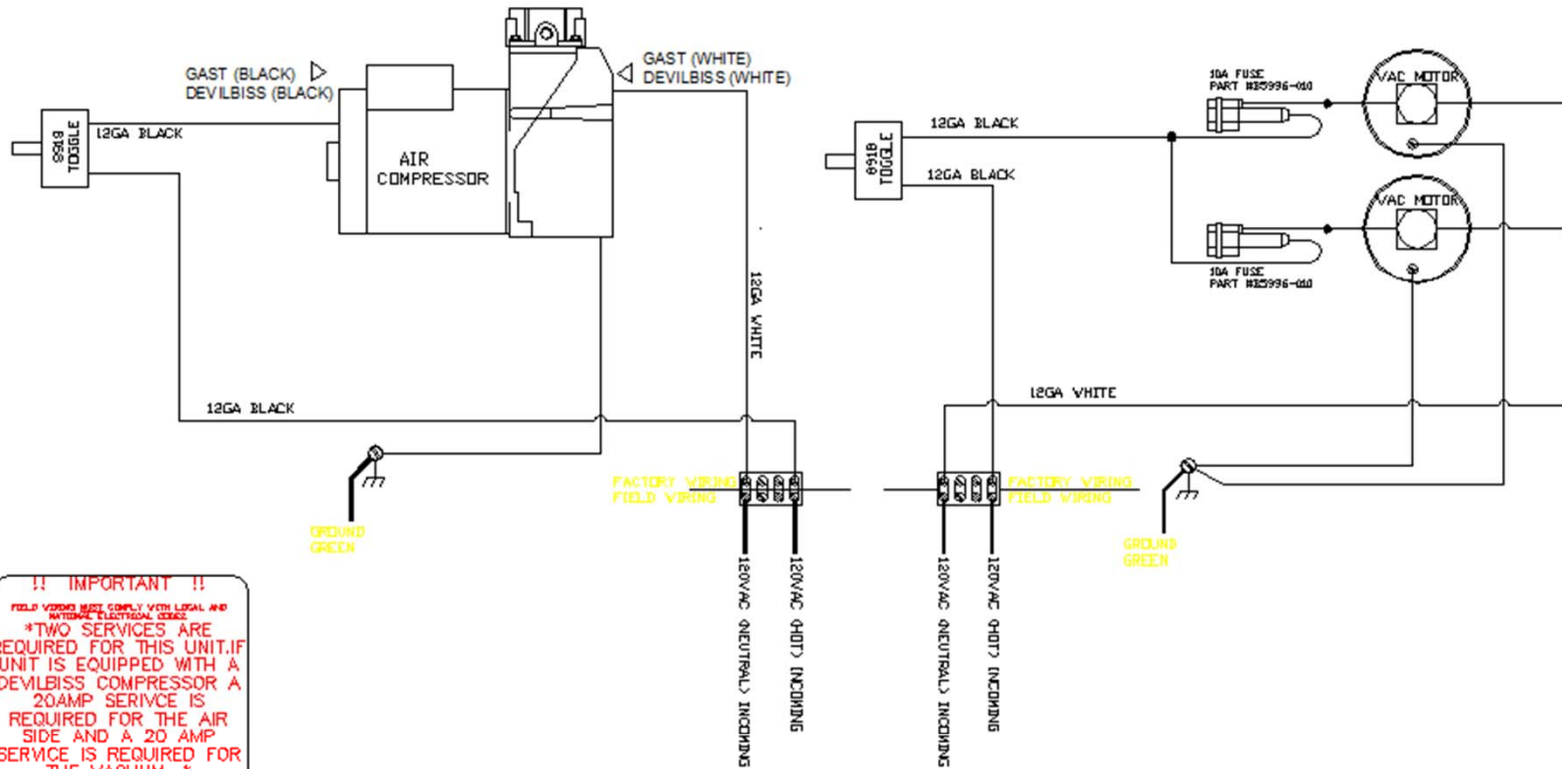
REV	NO.	DESCRIPTION	DATE	BY
-----	-----	-------------	------	----

PART NO. **9420 SERIES**

THIS DOCUMENT SHALL NOT BE REPRODUCED NOR SHALL THE INFORMATION THEREIN BE USED BY OR DISCLOSED TO OTHERS EXCEPT AS AUTHORIZED BY J.E. ADAMS INDUSTRIES

BILL OF MATERIAL

ITEM NO.	PART NO.	DESCRIPTION	QTY.
----------	----------	-------------	------



!! IMPORTANT !!
FIELD WIRING MUST COMPLY WITH LOCAL AND NATIONAL ELECTRICAL CODES
 *TWO SERVICES ARE REQUIRED FOR THIS UNIT. IF UNIT IS EQUIPPED WITH A DEVILBISS COMPRESSOR A 20AMP SERVICE IS REQUIRED FOR THE AIR SIDE AND A 20 AMP SERVICE IS REQUIRED FOR THE VACUUM. *

!! IMPORTANT !!
FIELD WIRING MUST COMPLY WITH LOCAL AND NATIONAL ELECTRICAL CODES
 *TWO SERVICES ARE REQUIRED FOR THIS UNIT. IF UNIT IS EQUIPPED WITH A TWIN THOMAS OR GAST COMPRESSOR A 10AMP SERVICE IS REQUIRED FOR THE AIR SIDE AND A 20 AMP SERVICE IS REQUIRED FOR THE VACUUM. *

TITLE
AIR/VACUUM, COMMERCIAL, ALL COMPRESSORS

SCALE	-
UNSPECIFIED TOLERANCES	
FRACT. ±1/32	
2 PL ±.020	
3 PL ±.010	
ANGLE ±1.0°	
DATE	12-15-11
REL FOR PROD.	

CEDAR RAPIDS, IOWA

PART NO. **9420-SERIES** REV. **A**

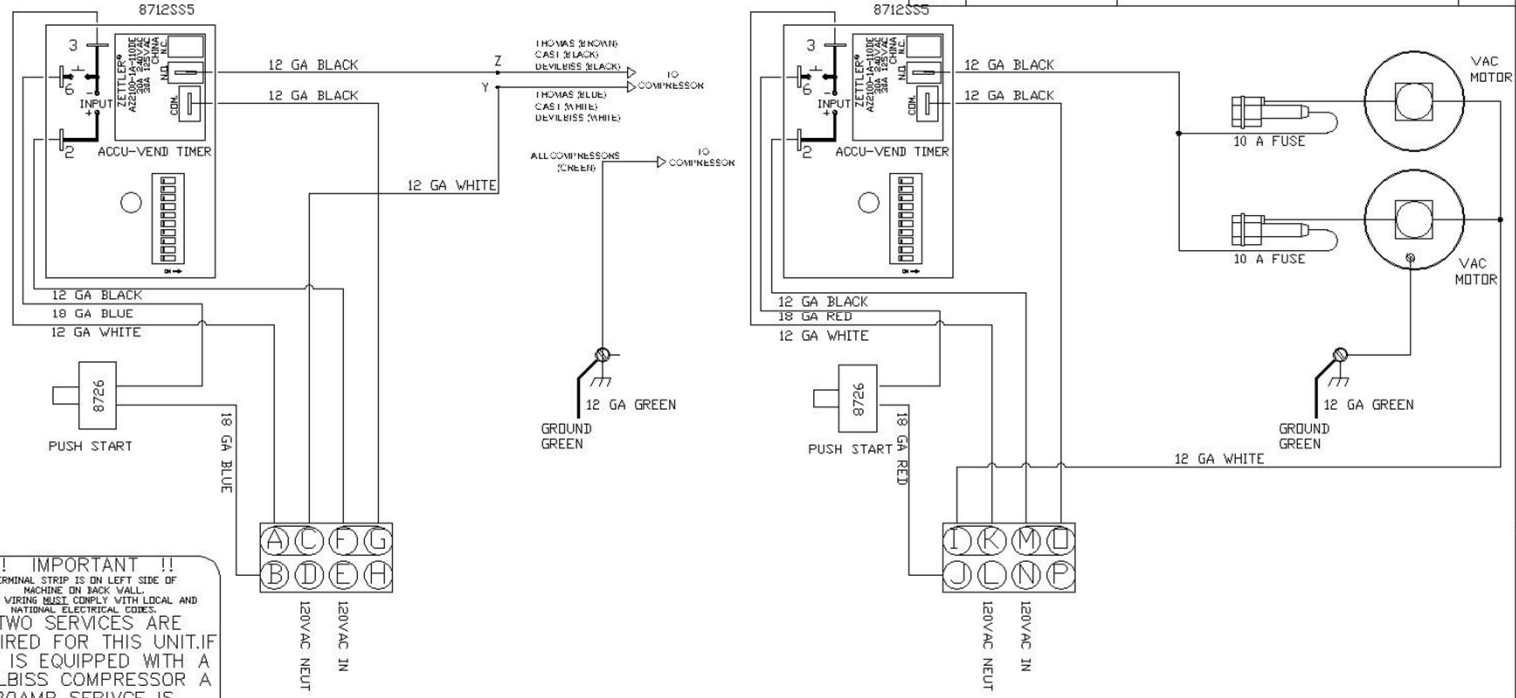
REV	NO.	DESCRIPTION	DATE	BY
A	6956	ADDED ADDITIONAL TERMINAL STRIP	5-11-16	CK

PART NO. **9420 SERIES**

THIS DOCUMENT SHALL NOT BE REPRODUCED NOR SHALL THE INFORMATION THEREIN BE USED BY OR DISCLOSED TO OTHERS EXCEPT AS AUTHORIZED BY J.E. ADAMS INDUSTRIES

BILL OF MATERIAL

ITEM NO.	PART NO.	DESCRIPTION	QTY.
----------	----------	-------------	------



!! IMPORTANT !!
 TERMINAL STRIP IS ON LEFT SIDE OF MACHINE ON BACK WALL.
 FIELD WIRING MUST COMPLY WITH LOCAL AND NATIONAL ELECTRICAL CODES.
 *TWO SERVICES ARE REQUIRED FOR THIS UNIT. IF UNIT IS EQUIPPED WITH A DEVILBISS COMPRESSOR A 20AMP SERVICE IS REQUIRED FOR THE AIR SIDE AND A 20 AMP SERVICE IS REQUIRED FOR THE VACUUM. *

!! IMPORTANT !!
 TERMINAL STRIP IS ON LEFT SIDE OF MACHINE ON BACK WALL.
 FIELD WIRING MUST COMPLY WITH LOCAL AND NATIONAL ELECTRICAL CODES.
 *TWO SERVICES ARE REQUIRED FOR THIS UNIT. IF UNIT IS EQUIPPED WITH A TWIN THOMAS OR GAST COMPRESSOR A 10AMP SERVICE IS REQUIRED FOR THE AIR SIDE AND A 20 AMP SERVICE IS REQUIRED FOR THE VACUUM. *

OPTIONAL PUSH BUTTON KIT

OPTIONAL COIN COUNTER AIR SIDE BLACK TO H BLACK TO 6 120VAC, PART # 8641-1	OPTIONAL CYCLE COUNTER AIR SIDE BLACK TO N.D. BLACK TO COMP NEUTRAL 120VAC, PART # 8641	OPTIONAL COIN COUNTER VACUUM SIDE BLACK TO P BLACK TO 6 120VAC, PART # 8641-1	OPTIONAL CYCLE COUNTER VACUUM SIDE BLACK TO N.D. BLACK TO VAC NEUTRAL 120VAC, PART # 8641
---	--	--	--

TITLE		CEDAR RAPIDS, IOWA		
AIR VAC_SSAC_8149_COMMERCIAL PUSH BUTTON KIT				
UNSPECIFIED TOLERANCES	SCALE			REV.
FRACT. ±1/32	—			
2 PL ±.020	DRAWN BY			
3 PL ±.010	JF			
ANGLE ±1.0°	DATE			
	011613			
REL. FOR PROD.	PART NO.	9420 SERIES		

REV	NO.	DESCRIPTION	DATE	BY
-----	-----	-------------	------	----